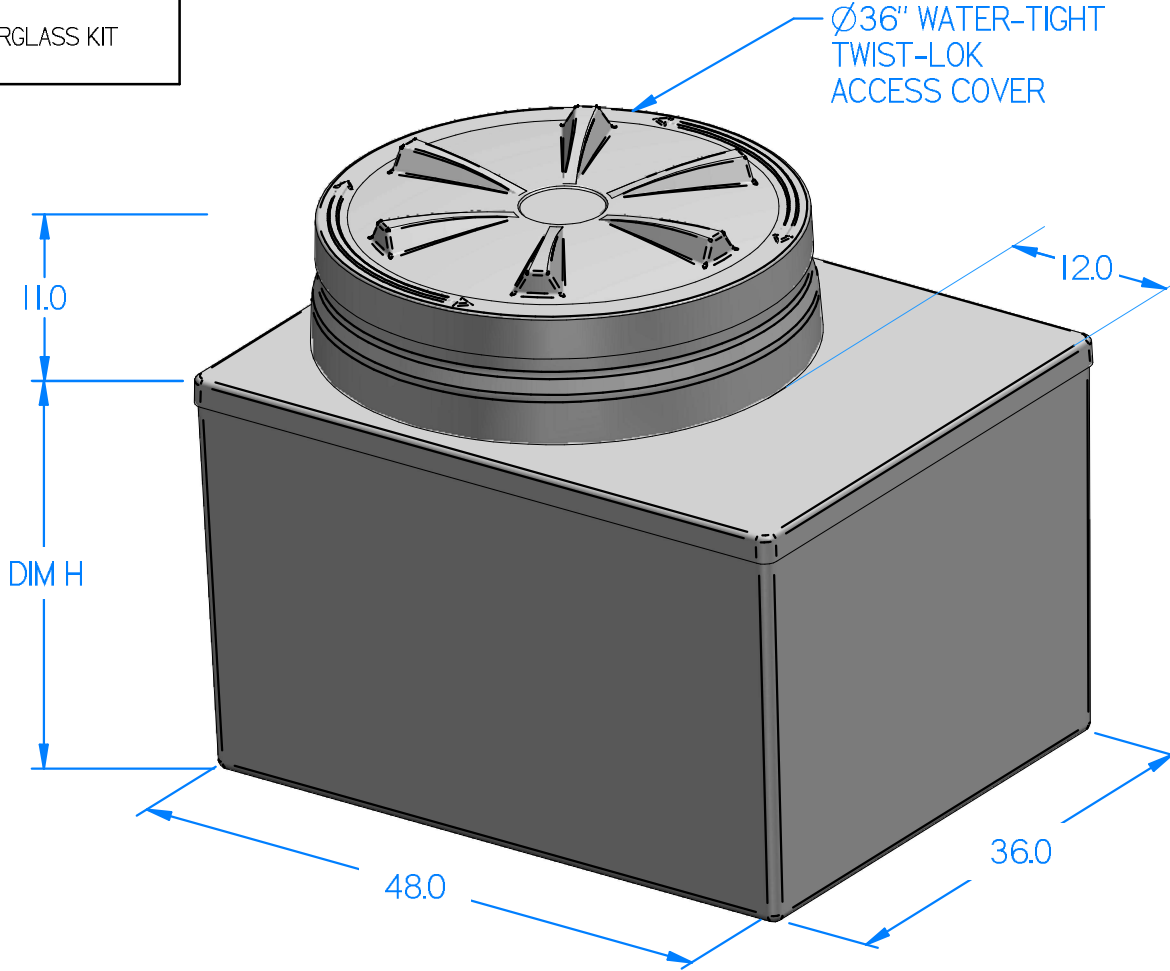


MODEL	DIM H
TS483612	12
TS483620	20
TS483630	30

DASH	DESCRIPTION
-3	TWIST-LOK LID
-2	BOLTDOWN LID

(EX. TS483630-I)

REQUIRES TS48-GK FIBERGLASS KIT



UNLESS SPECIFIED  
 1 PL ± 0.125"  
 2 PL ± 0.063"  
 3 PL ± 0.031"  
 ANGULAR ± 1.0°

THIS IS A CONFIDENTIAL DOCUMENT TO SUPPLY YOU WITH THE NECESSARY INFORMATION NEEDED FOR THE PLANNING OF RETAIL SITES. IT IS NOT THE PURPOSE TO SUPPLY THIS DOCUMENT TO ANY PARTY THAT MAY USE THIS DOCUMENT FOR ANY PURPOSES OF MANUFACTURING OR ANY OTHER USE WITHOUT THE SOLE WRITTEN CONSENT OF PETROLEUM CONTAINMENT INC. ANY COMPANY FOUND TO VIOLATE THIS MAY FIND THEMSELVES IN SUIT FOR DAMAGES TO PETROLEUM CONTAINMENT INC.

SHEET <b>1</b> OF 1	TITLE <b>AST TRANSITION SUMP</b>	DRAWN SJA	DATE 12/07/10	APPROVED SJA	PETROLEUM CONTAINMENT, INC. 3511 WALNUT ST. JAX., FL 32206 (904) 358-1700 - (904) 358-1702 FAX WWW.PETROLEUM-CONTAINMENT.COM
	SCALE NTS	DWG NO TS4836XX	REV	FILE: 483630.dft	