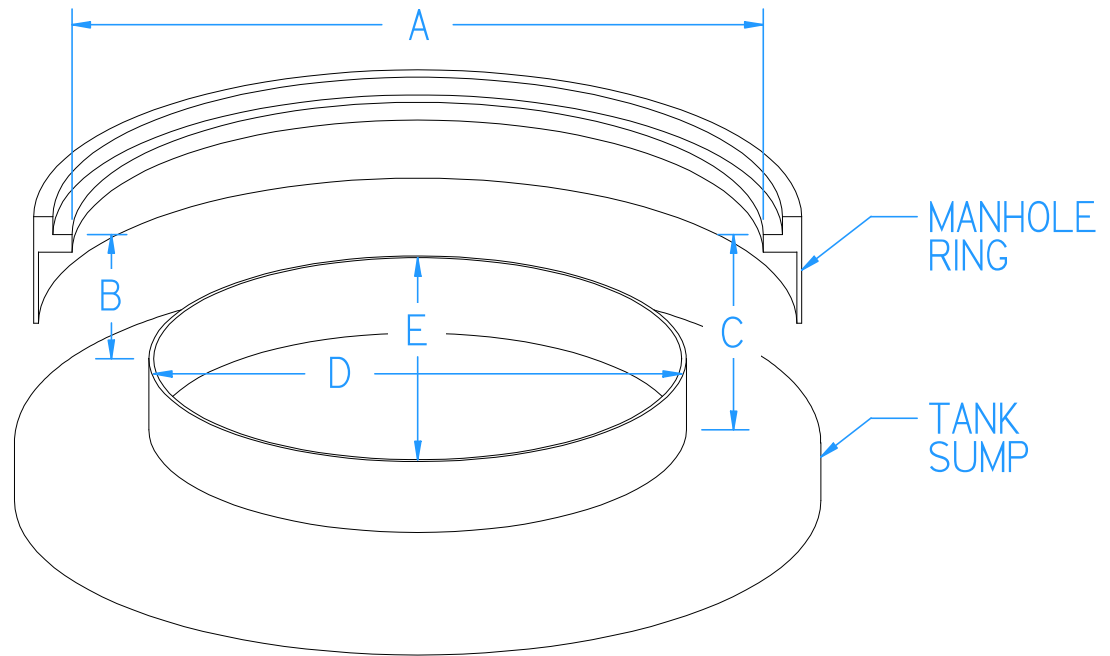


TWIST-LOK LID RETROFIT KIT PRE-INSTALLATION SURVEY



FAX COMPLETED SURVEY ALONG WITH PURCHASE ORDER TO:
 PETROLEUM CONTAINMENT, INC.
 FAX: (904) 358-1702



Dim	Description	Measurement
A	MANHOLE OPENING I.D.	
B	BOTTOM OF MANHOLE COVER TO TOP OF SUMP RISER	
C	BOTTOM OF MANHOLE COVER TO TOP OF SUMP CANOPY	
D	I.D. OF SUMP RISER (POSITION 1)	
E	I.D. OF SUMP RISER (POSITION 2)	

COMPANY	
COMPANY ADDRESS	
COMPANY CITY, ST, ZIP	
COMPANY PHONE	FAX
SURVEY BY (PRINT NAME)	
STORE NAME AND #	
SUMP IDENTIFICATION	
SUMP TYPE (CIRCLE ONE)	FIBERGLASS / PLASTIC
SIGNATURE	DATE