



## DOUBLE WALL TANK SUMPS

PCI's Double Wall fiberglass tank sumps come in a variety of sizes and can be used with a variety of monitoring and testing options to satisfy local regulations.



### INTERSTITIAL MONITORING

PCI's double wall tank sumps allow for periodic or continuous interstitial monitoring to detect liquid. Continuous monitoring eliminates the need for integrity tests.

### COMPATIBLE TESTING

Our double wall tank sumps are compatible with the following testing methods:

- Dry Interstitial
- Vacuum Monitored
- Fluid Filled

### VPH COMPLIANT

### SHIPPED UNDER VACUUM

Double wall tank sumps are pre-tested and shipped under vacuum with the vacuum gauge installed for verification of sealed interstitial space.

### TWIST-LOK ACCESS COVER

PCI's tank sumps and below grade transition sumps come standard with the latest generation of our innovative 'Twist-Lok' Access Cover. Constructed from injection molded fiberglass, Twist-Lok lids provide a watertight seal with a quick and easy 12° turn.

### 'BRITE-WHITE' INTERIOR

Our signature 'Brite-White' interior reflects light for better visibility and makes identifying leak points easier.

### DUO-MOLDED TECHNOLOGY

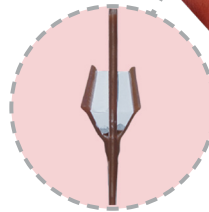
Our fiberglass sumps utilizes Duo-Molded Technology. Using premium raw materials with a high glass content, we create two layers of fiberglass, offering superior strength and fuel resistance.



Translucent Fiberglass Finish  
Brite-White Fiberglass Interior



TSMDW484860



PCMDW4850



### INSPECTION PORT

Optional 4" inspection port allows quick and easy inspection without removing entire cover.

IP4000-1





## DOUBLE WALL TANK SUMPS

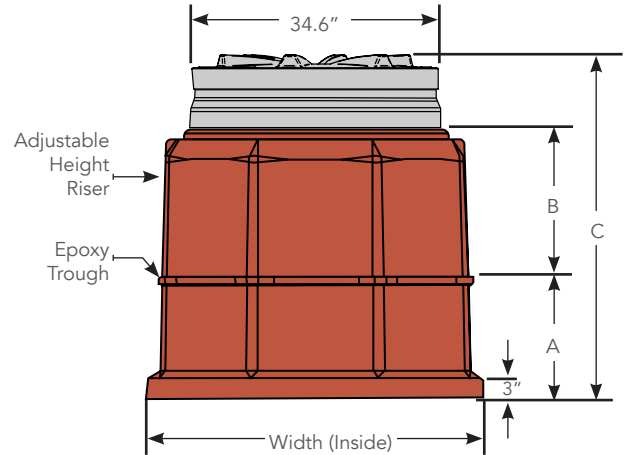
### PCM DOUBLE WALL OCTAGON TANK SUMPS

Double Wall	Collar Diameter	Base Height (A)	Adjustable Height (B)	Overall Height (C)
PCMDW4250	42"	21"	0" - 18"	32" - 50"
PCMDW4850	48"	18"	0" - 21"	29" - 50"

#### Options

-3C9 Collar Mount, (x2) E148CM Epoxy Kit & (x2) GK-42 Fiberglass Kits

Additional Models and Options are Available



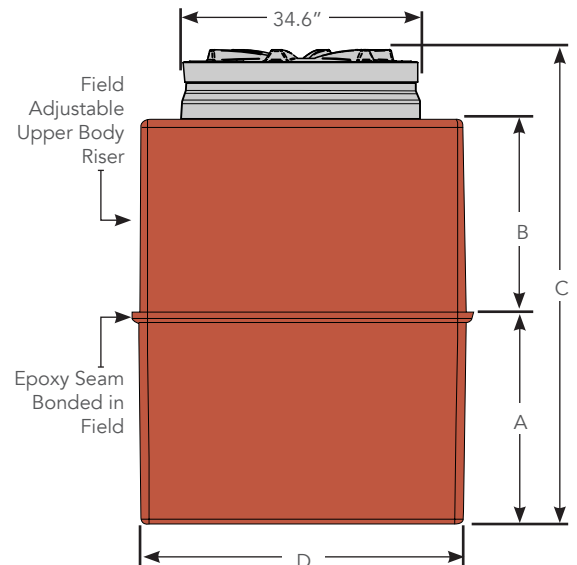
### TSM DOUBLE WALL TANK SUMPS

Double Wall Models	Base Height (A)	Adjustable Height (B)	Overall Height (C)	Width (D)
TSMDW484836B	18"	4" - 18"	32" - 46"	48"
TSMDW484848D	30"	4" - 18"	44" - 58"	48"
TSMDW606048D	30"	4" - 18"	44" - 58"	60"
TSMDW606060D	30"	4" - 18"	44" - 70"	60"
TSMDW484836BU	18"	4" - 18"	38" - 52"	48"
TSMDW484848DU	30"	4" - 18"	44" - 64"	48"
TSMDW606048DU	30"	4" - 18"	44" - 64"	60"
TSMDW606060DU	30"	4" - 30"	44" - 76"	60"

#### Options (Example: TSMXXXXXX-3XX)

-3C9 Collar Mount, (x2) E148CM Epoxy Kit & (x2) GK-42 Fiberglass Kits

Additional Models and Options are Available



#### Additional Components (Ordered Separately)

EQP-DW-VAC	Vacuum Kit (Required for all Double Wall Sumps)
EQP-IF-5GAL	Interstitial Fluid, 5 Gallons (Required for Double Wall Sumps with Fluid Filled Interstice)
EQP-IF-ADP-UC	Interstitial Fluid Adapter Kit (Required for Double Wall Dispenser & Grade Level Transition Sumps)
EQP-IF-ADP-PC	Interstitial Fluid Adapter Kit (Required for Double Wall Tank & Below Grade Transition Sumps)