



4200 SERIES - SOLID BOTTOM TANK SUMPS



The 4200 Series Tank Sump is a cost-effective fiberglass alternative to polyethylene tank sumps. Fiberglass construction guarantees long-term reliability without deforming or cracking.

NESTABLE

Multiple sumps can be stacked and nested together to significantly reduce shipping costs by storing more sumps on less pallets.

RETROFIT INSTALLATION

Available in most common size for retrofit applications.

OCTAGON BASE

The octagon base provides flat sealing surfaces for 45° and 90° penetrations.

TWIST-LOK ACCESS COVER

PCI's tank sumps and below grade transition sumps come standard with the latest generation of our innovative 'Twist-Lok' Access Cover. Constructed from injection molded fiberglass, Twist-Lok lids provide a watertight seal with a quick and easy 12° turn.

'BRITE-WHITE' INTERIOR

Our signature 'Brite-White' interior reflects light for better visibility and makes identifying leak points easier.

DUO-MOLDED TECHNOLOGY

Our fiberglass sumps utilize Duo-Molded Technology. Using premium raw materials with a high glass content, we create two layers of fiberglass, offering superior strength and fuel resistance.



PC4250-3B1



PC4240-3B1



PC4224-CB1



INSPECTION PORT

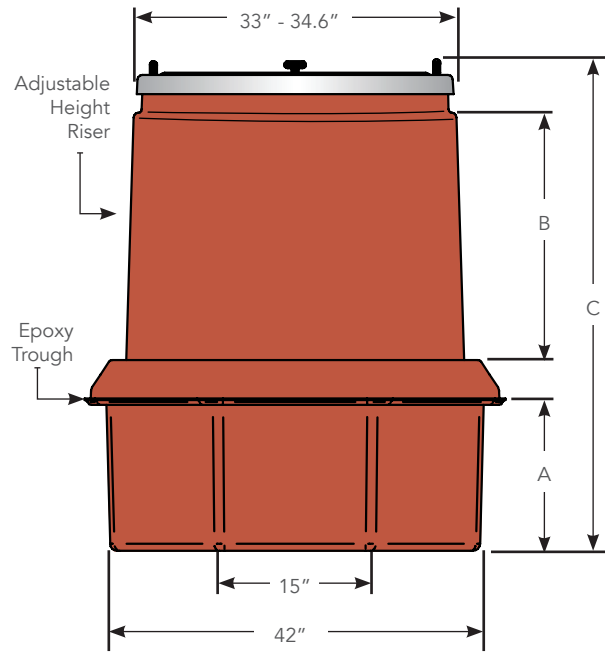
Optional 4" inspection port allows quick and easy inspection without removing entire cover.

IP4000-1





4200 SERIES - SOLID BOTTOM TANK SUMPS



PRODUCT SIZES

Part No.	Base Height (A)	Adjustable Height (B)	Overall Height (C)
PC4224*	15"	N/A	24" Fixed
PC4230**	15"	10"	24" - 30"
PC4240	15"	19"	29" - 39"
PC4250	15"	31"	29" - 51"

Options (Example: PC42XX-XXX)

-CB0	Bolt-down Lid, No Bonding Kit
-CB1	Bolt-down Lid, Epoxy Bonding Kit
-CB4	Bolt-down Lid, Fiberglass Bonding Kits
-3B0	Twist-Lok Lid, No Bonding Kit
-3B1	Twist-Lok Lid, Epoxy Bonding Kit
-3B4	Twist-Lok Lid, Fiberglass Bonding Kits

Accessories

TSA400	4" Tank Fitting (page 16)	11.1" OD
--------	---------------------------	----------

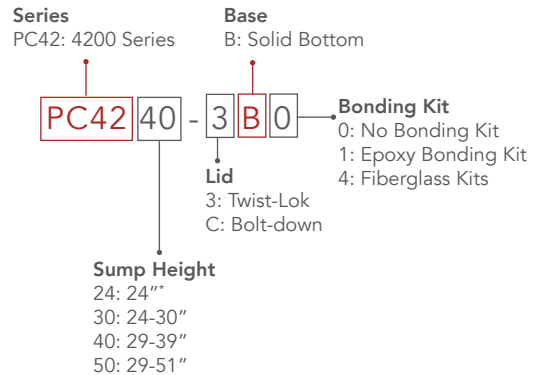
Optimum lid height is 4" below manhole cover

Note: Not for use with 42" Tank Collar

* PC4224 only available with Bolt-down Lid

** PC4230 only available with Twist-Lok Lid

PART NUMBER LEGEND



INSPECTION PORT

Optional 4" inspection port allows quick and easy inspection without removing entire cover. IP4000-1