



4800 SERIES TANK SUMPS



The 4800 Series fiberglass tank sump is the largest piping sump in the industry. Designed to accommodate dual STP systems for all types of installations including collar mount, bung mount and manways.

UNIVERSAL BASE

Collar mount, solid bottom and universal bottom bases are available for all three types of installations - collar mount, bung mount and manways. Can be factory cut.

DUAL STP SYSTEM

Accommodates two STP systems with ample room to work.

58" DIAMETER RISER

Widest riser in the industry provides ample room for installation and service work.

TWIST-LOK ACCESS COVER

PCI's tank sumps and below grade transition sumps come standard with the latest generation of our innovative 'Twist-Lok' Access Cover. Constructed from injection molded fiberglass, Twist-Lok lids provide a watertight seal with a quick and easy 12° turn.

'BRITE-WHITE' INTERIOR

Our signature 'Brite-White' interior reflects light for better visibility and makes identifying leak points easier.

DUO-MOLDED TECHNOLOGY

Our fiberglass sumps utilizes Duo-Molded Technology. Using premium raw materials with a high glass content, we create two layers of fiberglass, offering superior strength and fuel resistance.



PC4872U

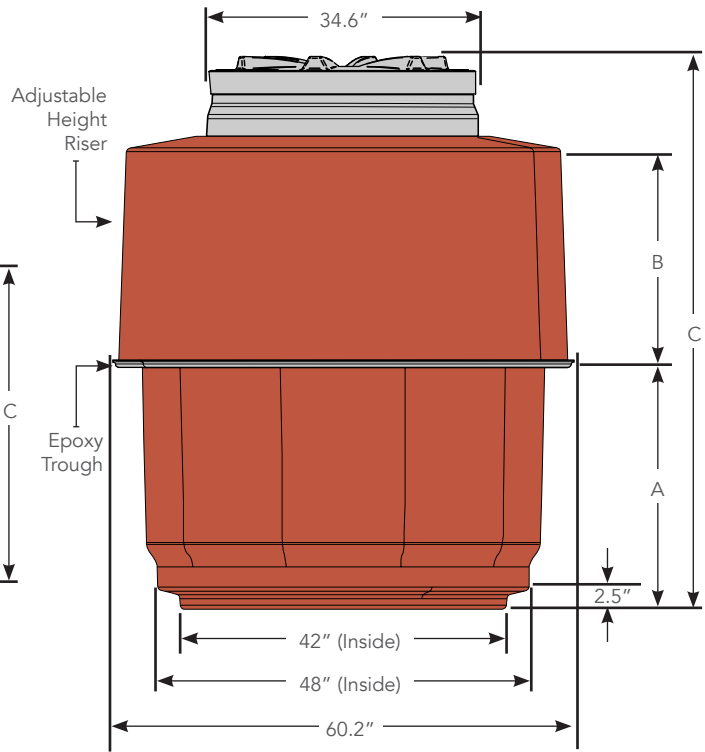
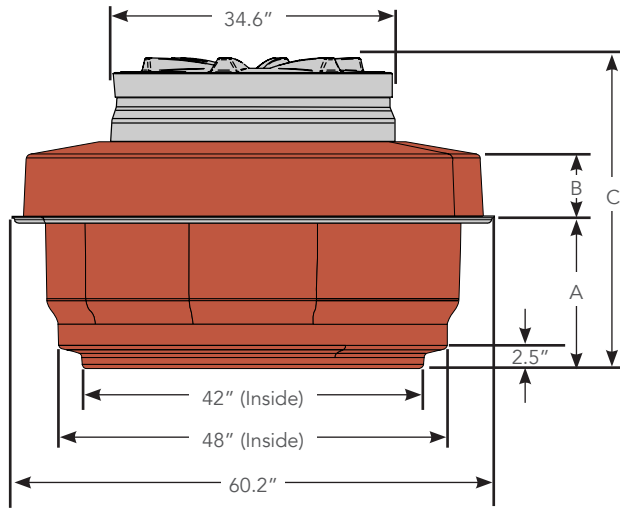


PC4840U





4800 SERIES TANK SUMPS



PRODUCT SIZES*

Part No.	Base Height (A)	Adjustable Height (B)	Overall Height (C)
PC4840U	19"	0" - 8"	32" - 40"
PC4852U	32"	0" - 8"	44" - 52"
PC4860U	19"	0" - 28"	32" - 60"
PC4872U	32"	0" - 28"	44" - 72"

Options (Example: PC48XXU-3XX)

-3B0	Solid Bottom, No Bonding Kit
-3B1	Solid Bottom, E148CM Epoxy Kit
-3B2	Solid Bottom, (x2) E148CM Epoxy Kit
-3C0	42" Collar Mount, No Bonding Kit**
-3C2	42" Collar Mount, (x2) E148CM Epoxy Kit**
-3D0	48" Collar Mount, No Bonding Kit***
-3D2	48" Collar Mount, (x2) E148CM Epoxy Kit***

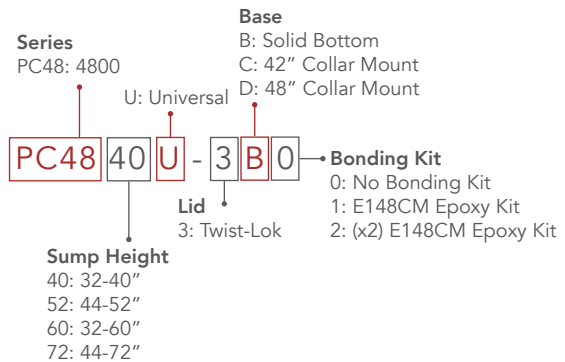
Optimum lid height is 4" below manhole cover

* Dimensions are based on Solid Bottom sumps only

** Subtract 1" if mounting to a 42" tank collar

*** Subtract 2.5" if mounting to a 48" tank collar

PART NUMBER LEGEND



INSPECTION PORT

Optional 4" inspection port allows quick and easy inspection without removing entire cover.
IP4000-1

