



PCM4800 SERIES TANK SUMPS



PCI's PCM4800 Series fiberglass tank sumps are some of the largest in the industry yet most cost-conscious. It offers all the benefits of our 4800 series with a narrower riser to reduce shipping costs.

UNIVERSAL BASE

Collar mount, solid bottom and universal bottom bases are available for all three types of installations - collar mount, bung mount and manways. Can be factory cut.

DUAL STP SYSTEM

Accommodates two STP systems with ample room to work.

COST-EFFECTIVE

All benefits of the 4800 series in a more economical option - narrow riser reduces shipping costs.

TWIST-LOK ACCESS COVER

PCI's tank sumps and below grade transition sumps come standard with the latest generation of our innovative 'Twist-Lok' Access Cover. Constructed from injection molded fiberglass, Twist-Lok lids provide a watertight seal with a quick and easy 12° turn.

'BRITE-WHITE' INTERIOR

Our signature 'Brite-White' interior reflects light for better visibility and makes identifying leak points easier.

DUO-MOLDED TECHNOLOGY

Our fiberglass sumps utilize Duo-Molded Technology. Using premium raw materials with a high glass content, we create two layers of fiberglass, offering superior strength and fuel resistance.



Translucent Fiberglass Finish
Brite-White Fiberglass Interior

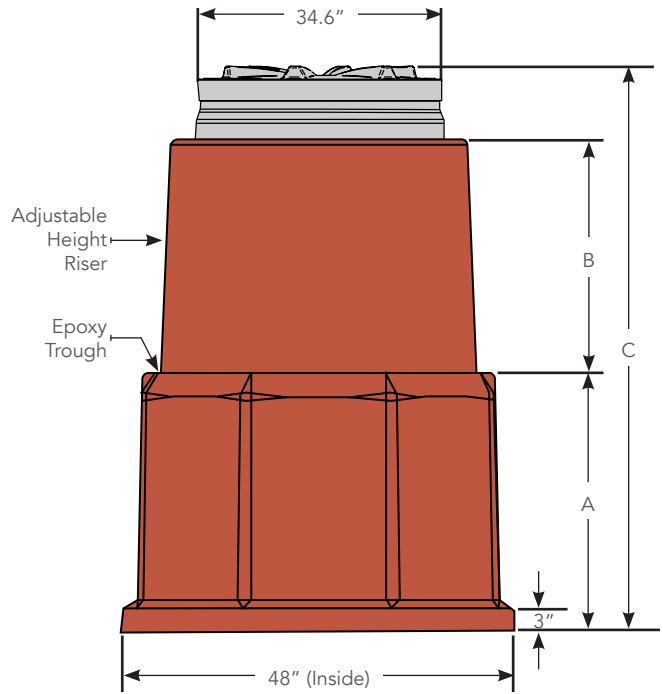
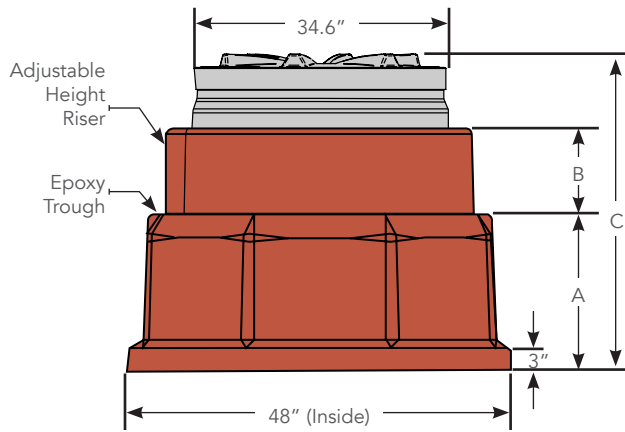


PCM4872



PCM4840





PRODUCT SIZES*

Part No.	Base Height (A)	Adjustable Height (B)	Overall Height (C)
PCM4840	20"	0" - 9"	31" - 40"
PCM4852	32"	0" - 9"	43" - 52"
PCM4860	20"	0" - 29"	31" - 60"
PCM4872	32"	0" - 29"	43" - 72"

Options (Example: PCM48XXU-3XX)

-3B0	Solid Bottom, No Bonding Kit
-3B1	Solid Bottom, E148CM Epoxy Kit
-3B2	Solid Bottom, (x2) E148CM Epoxy Kit
-3C0	42" Collar Mount, No Bonding Kit**
-3C2	42" Collar Mount, (x2) E148CM Epoxy Kit**
-3D0	48" Collar Mount, No Bonding Kit***
-3D2	48" Collar Mount, (x2) E148CM Epoxy Kit**

Optimum lid height is 4" below manhole cover

* Dimensions are based on Solid Bottom sumps only
 ** Subtract 1" if mounting to a 42" tank collar
 *** Subtract 2.5" if mounting to a 48" tank collar

PART NUMBER LEGEND

PCM48: PCM4800 C: 42" Collar Mount
 D: 48" Collar Mount

PCM48 | **40** - | **3** | **B** | **0** → **Bonding Kit**

Sump Height
 40: 31-40"
 52: 43-52"
 60: 31-60"
 72: 43-72"

Lid
 3: Twist-Lok

Bonding Kit
 0: No Bonding Kit
 1: E148CM Epoxy Kit
 2: (x2) E148CM Epoxy Kit



INSPECTION PORT

Optional 4" inspection port allows quick and easy inspection without removing entire cover. IP4000-1

