

TS372929-4B0 (NON-TRAFFIC AREAS) GRADE LEVEL PLANTER STYLE TRANSITION SUMP



IMPORTANT

Please read all warnings and follow the installation instructions completely and carefully. Failure to do so may cause product failure, or result in environmental contamination due to liquid leakage into the soil, creating hazardous spill conditions.



WARNING - DANGER

Using electrically-operated equipment near gasoline or gasoline vapors may result in fire or explosion, causing personal injury and property damage. Be sure that the working area is free from such hazards and always use proper precautions.

1 Determine Position and Grade Level

Determine position and grade level for the transition sump and place on a secure bed of pea gravel. The transition sump should be located in non-traffic areas (Figure 1).

2 Install Equipment

Permanently install underground piping through the penetration fittings and connect to the elbow or tee per the pipe manufacturer's installation instructions and proceeding government regulations.

3 Hydro Test

Prior to back fill, hydro statically test the transition sump a minimum of 2" above the highest penetration fitting.

4 Backfill

Backfill with pea gravel a minimum of 12" around the transition sump to ensure a 6" thick concrete pad will be poured around the transition sump.

5 Pour Concrete

Pour concrete around the transition sump ensuring the brackets located in figure 3 are encapsulated to permanently anchor the transition sump in the ground. Ensure proper slope of concrete around the transition sump to allow rainwater to drain off the sump.

6 If No Concrete Is Used

If no concrete is used the transition sump must be deadman anchored below the pea gravel and anchor the sump and the ground and properly

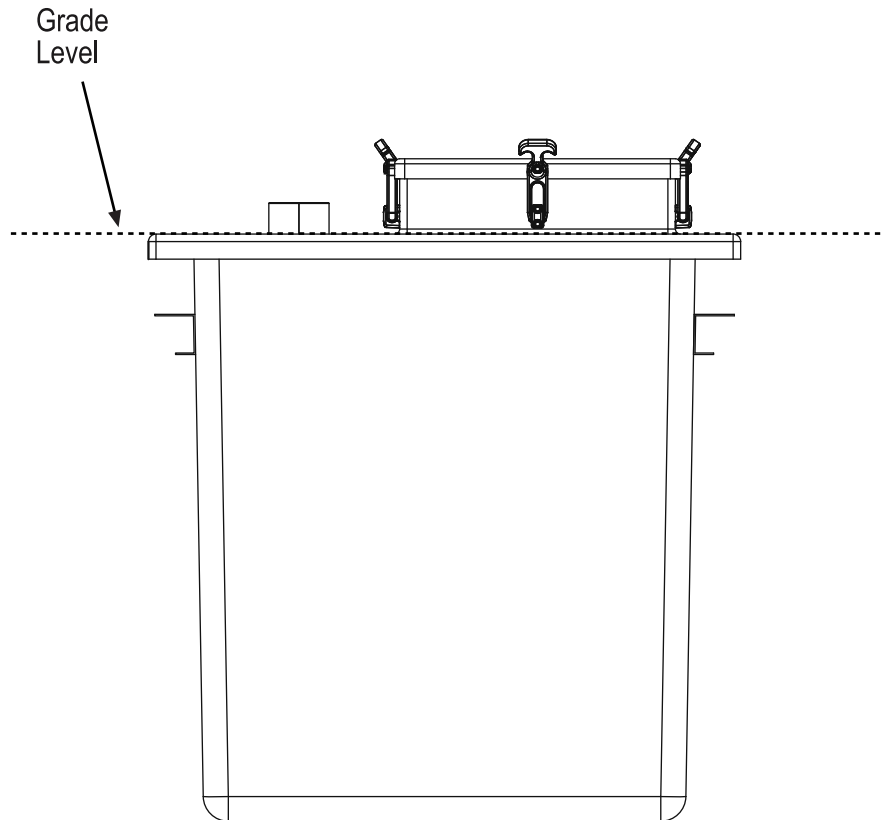


FIGURE 1

ININS-PLSTLYETS-GD/R01-20



8873 Western Way, Jacksonville, Florida 32256
For more information visit www.petroleum-containment.com or call us at (904) 358-1700

