

UST FIBERGLASS COLLAR



IMPORTANT

Please read all warnings and follow the installation instructions completely and carefully. Failure to do so may cause product failure, or result in environmental contamination due to liquid leakage into the soil, creating hazardous spill conditions.



WARNING - DANGER

Using electrically-operated equipment near gasoline or gasoline vapors may result in fire or explosion, causing personal injury and property damage. Be sure that the working area is free from such hazards and always use proper precautions.

1 Level Collar

To install the fiberglass collar to the UST correctly use a level to ensure that it is level. If you have a small gap between collar and UST on the sides use a small shim to hold collar level before bonding to UST. Do not push down on collar to close gap as this will egg collar (Figure 1).

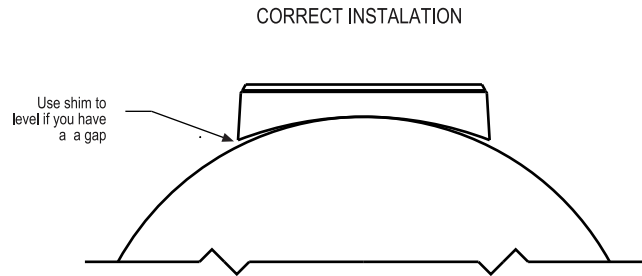


FIGURE 1

2 Check for gap

If you have a gap between UST and collar, **do not use a downward pressure to close the gap** as this will egg shape collar and will prevent sump installation (Figure 2).

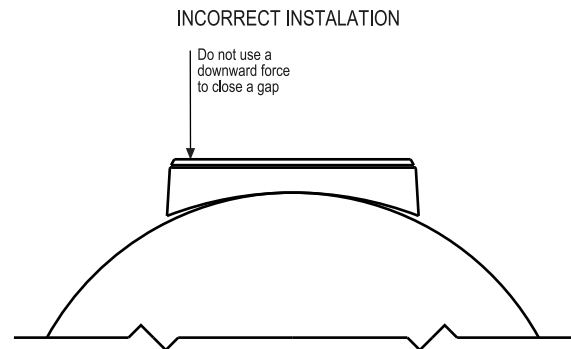


FIGURE 2

3 Check Collar

Before you permanently bond collar to UST, check the collar to ensure you have the same dimensions going in both directions to ensure collar is not egg shaped (Figure 3).

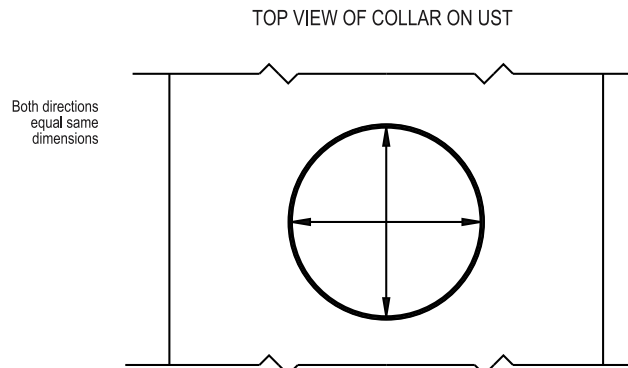


FIGURE 3