



BSO SERIES REPAIR FITTING



The Bold Stand Off Repair Penetration Fittings seal to the sump wall around damaged fittings and a clean section of pipe inside the sump to create a watertight repair.

LEAVE EXISTING FITTINGS

The BSO encapsulates existing penetration fittings and seals around them.

UNIVERSAL FIT

Two sizes of the BSO are available to be used in conjunction with any of the SRB Series for split repairs.

COST EFFECTIVE

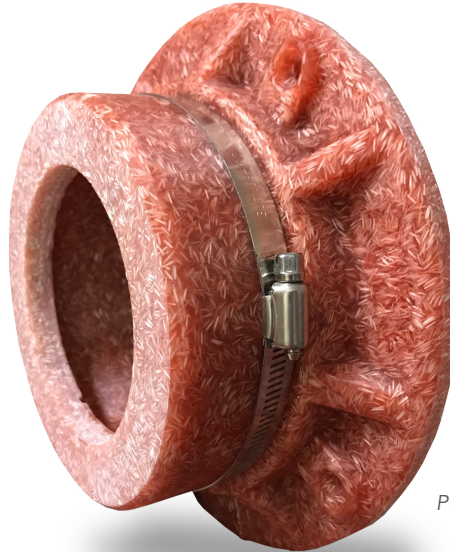
PCI's penetration fittings are the most affordable fiberglass fittings on the market, with a similar cost to rubber or plastic fittings.

PERMANENT BONDING

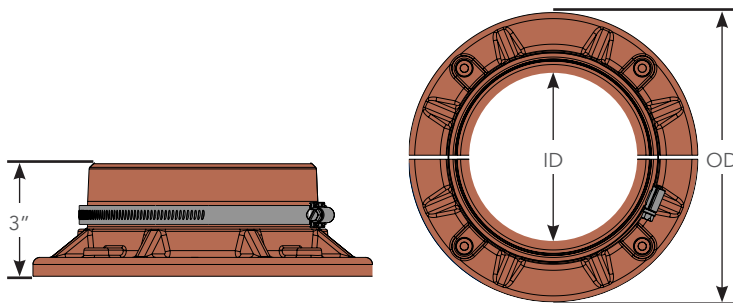
EP2A is used to bond fittings to fiberglass and steel. It has great gap filling properties and excellent sag resistance, making it a simple and dependable bonding solution.

LONG-TERM SOLUTION

100% fiberglass construction provides superior strength and ensures the fitting will withstand long-term exposure to all fuels, including ethanol. These can replace rubber or plastic boots.



PF-BSO-1F-5022



Part No.	Install	ID	OD
PF-BSO-1F-5022	Small Diameter Flex Pipe / Conduit	5.2"	9"
PF-BSO-1F-7022	Large Diameter Flex Pipe / Rigid Pipe	7.2"	11"



PART NUMBER LEGEND

