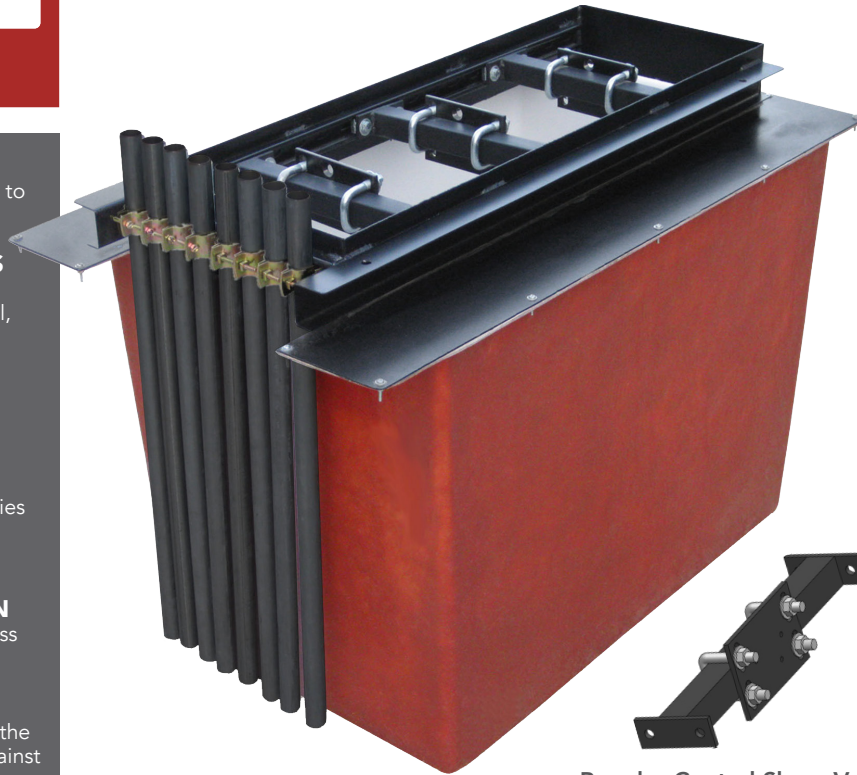




CLE / CLS SERIES DISPENSER SUMPS

PCI's CLE / CLS dispenser sumps offer quality and dependability in a fiberglass constructed body with a heavy gauge steel frame. It is also available with a dual compartment for DEF in our DEF series.



Powder Coated Shear Valve
Stabilizer Assembly Kit
(Sold Separately)

5-PRODUCT ENTRIES

Extra long sump wall has room for up to five product entries.

HEAVY-GAUGE STEEL FRAMES

The dispenser sump frame is manufactured from heavy gauge steel, providing strength and rigidity, and is designed to lock into the concrete foundation.

SINGLE CONDUITLESS ENTRY

Conduit is allowed to enter into the bottom of the dispenser without penetrating the sump walls. Less entries require less penetration fittings and provide less risk for water intrusion.

SINGLE PIECE CONSTRUCTION

Eliminates any seams and provides less places for water penetration.

1" COMPOSITE RAINLIP

Prevents surface water from entering the sump and offers better protection against rust and corrosion than metallic rainlips.

UNIVERSAL STABILIZER BARS

Universal stabilizer bars with 3-axis adjustment accommodate multi-product dispensers without displacing product lines and ensure proper load transfer in case of an impact from any direction.

100% FIBERGLASS

100% high quality, non-corrosive fiberglass provides long-term reliable containment from fuel exposure without voiding warranty, warping, cracking or becoming brittle.

'BRITE-WHITE' INTERIOR

Our signature 'Brite-White' interior reflects light for better visibility and makes identifying leak points easier.

DUO-MOLDED TECHNOLOGY

Our fiberglass sumps utilizes Duo-Molded Technology. Using premium raw materials with a high glass content, we create two layers of fiberglass, offering superior strength and fuel resistance.



DOUBLE WALL OPTIONS

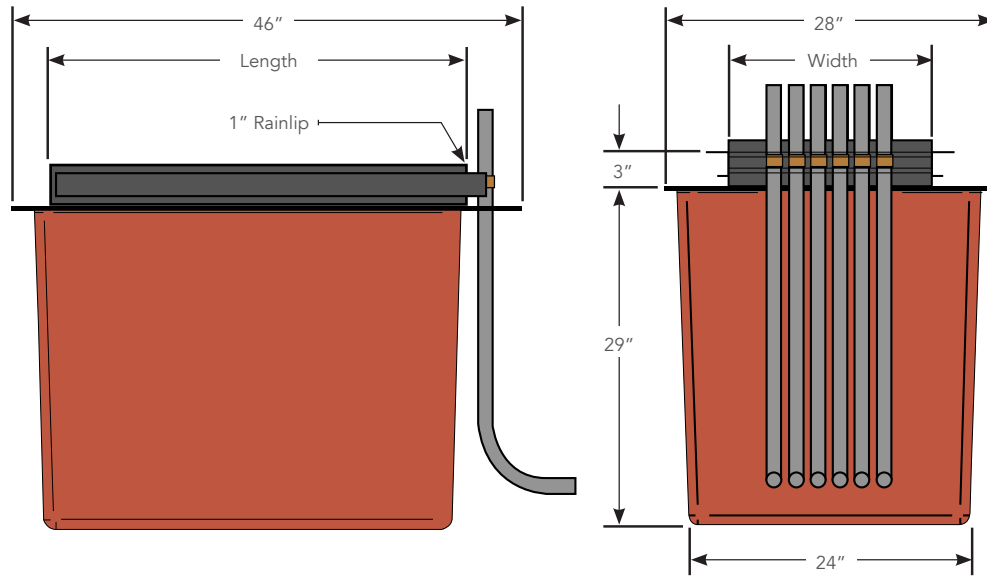
Available in double wall for a variety of monitoring options to satisfy local regulations and requirements. From dry fluid or fluid filled interstitial to vacuum interstice monitoring, PCI has all options to best fit your installation and compliance needs.

NESTABLE

Multiple sumps can be stacked and nested together to significantly reduce shipping costs and simplify inventory by storing more sumps on less pallets.



CLE / CLS SERIES DISPENSER SUMPS



Dispenser Model	Standard	Double Wall Models	Width	Length	Stabilizer Kit
Bennett Pacific	CLE146390B	CLEDW146390B	14.75"	39"	SVU-L
Bennett 3000	CLS120206	CLSDW120206	12"	20.75"	SVU-S
Gasboy Atlas	CLS120206A	CLSDW120206A	12"	20.75"	SVU-S
Gilbarco Encore	CLE174375	CLEDW174375	17.5"	37.5"	SVU-L
Gilbarco Legacy	CLS120206X	CLSDW120206X	12"	20.75"	SVU-S
Wayne Century	CLE154260	CLEDW154260	15.5"	26"	SVU-L
Wayne Reliance	CLS154260R	CLSDW154260R	15.5"	26"	SVU-L
Wayne Select	CLS154260	CLSDW154260	15.5"	26"	SVU-L
Wayne Ovation	CLE146390	CLEDW146390	14.75"	39"	SVU-L
Wayne Vista (UHC) HS3, HS4	CLS154294	CLSDW154294	15.5"	29.5"	SVU-L
Wayne Vista (48")	CLE112376	CLEDW112376	11.25"	37.5"	SVU-S
Wayne Helix (36")	CLS170260	CLSDW170260	17"	26"	SVU-L
Wayne Helix (48")	CLE170365	CLEDW170365	17"	36.625"	SVU-L

Note: Additional Models Available

PART NUMBER LEGEND

Series
 CLE: Standard
 CLS: Standard
 CLEDW: Double Wall
 CLSDW: Double Wall

Length
 206: 20.75"
 260: 26"
 294: 29.5"
 365: 36.625"
 375: 37.625"
 390: 39"

Width
 112: 11.25"
 120: 12"
 146: 14.75"
 154: 15.5"
 170: 17"
 174: 17.5"

Suffix
 PCI Internal Identifier
 X: No Rainlip

Example: CLE 174 375

