



PERMANENTLY FIX LEAKING SUMP LIDS WITHOUT BREAKING CONCRETE.

PCI's watertight Twist-Lok lids are available to retrofit onto any existing poly or fiberglass sump. They are a simple solution to permanently repair leaking sumps without breaking concrete.



TWIST-LOK LID RETRO FIT KITS

FIX LEAKING SUMP LIDS WITHOUT BREAKING CONCRETE

Installs through a 36" opening to permanently repair or raise sump lids without breaking concrete.*

NO HARDWARE

No tools required for lid removal and installation. Easy to remove.



WATER-TIGHT REPAIR

PCI's 12-point locking system creates a water-tight seal every time with one simple twist.

VERSATILE

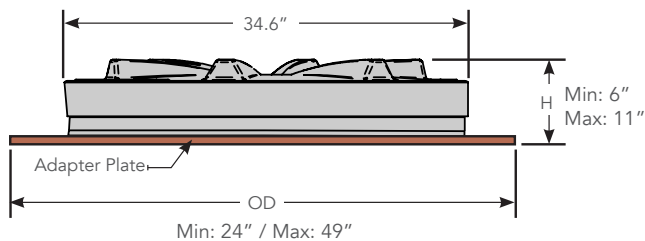
Available for polyethylene or fiberglass sumps.



RAISED SURFACE

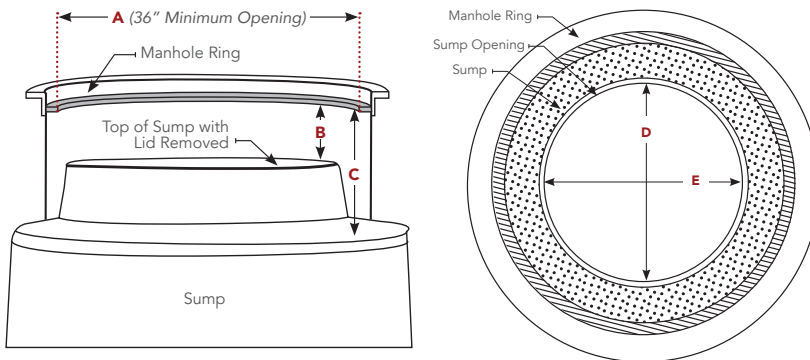
Raised rounded surface keeps dirt and debris from interfering with a true seal between the lid and collar.

* Requires an existing 38" or larger manhole



5 MEASUREMENTS FOR A TWIST-LOK RETROFIT LID

- A: Interior Diameter of Manhole Ring - 36" Min.
- B: Bottom of Manhole Cover to Top of Sump Riser - 8" Min.
- C: Bottom of Manhole Cover to Top of Canopy - 8" Min.
- D: ID of Sump Opening (Position 1)
- E: ID of Sump Opening (Position 2)



Part No.	Description
Polyethylene Tank Sumps	
12PLS-1P	Includes Clear Magic Poly Adhesive
Fiberglass Tank Sumps	
12PLS-1E	Includes Epoxy Bonding Kit
12PLS-1G	Includes Fiberglass Seam Kit w/ Adapter Plate
12PLS-1F**	Includes Fiberglass Adhesive w/ Adapter Plate
12PLS-1N	No Bonding Kit, Adapter Plate Included
12PLS-1X	No Bonding Kit, Adapter Plate Not Included

** Requires an adhesive applicator (Sold Separately).



Shown with Optional 4" Inspection Port

Allows quick and easy inspection without removing the cover.