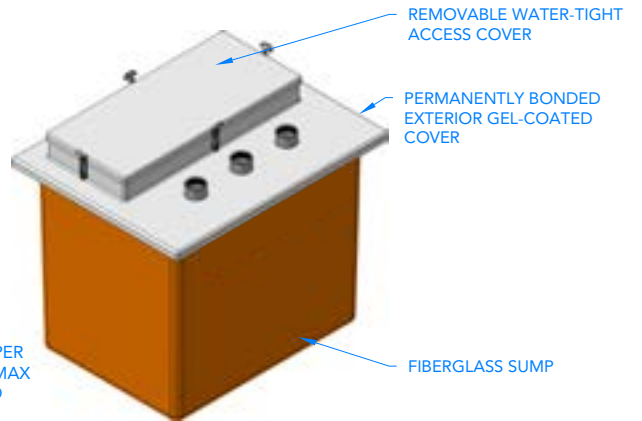
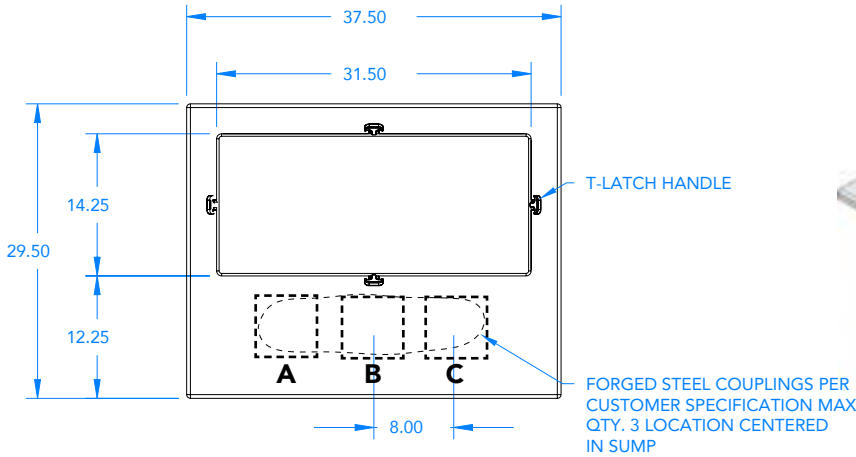




TS372929-4B0
GRADE LEVEL SUMP
 PRE-INSTALLATION SURVEY

Select Coupling Location(s), specify measurements and submit with PO to sales@pcisumps.com



| [X] COUPLING LOCATION | MEASUREMENTS |
|-------------------------|--------------|
| A | |
| B | |
| C | |

| CONTACT INFORMATION | | | |
|---------------------|--------|------|--|
| COMPANY: | | | |
| NAME: | | | |
| ADDRESS: | | | |
| CITY: | STATE: | ZIP: | |
| PHONE: | EMAIL: | | |

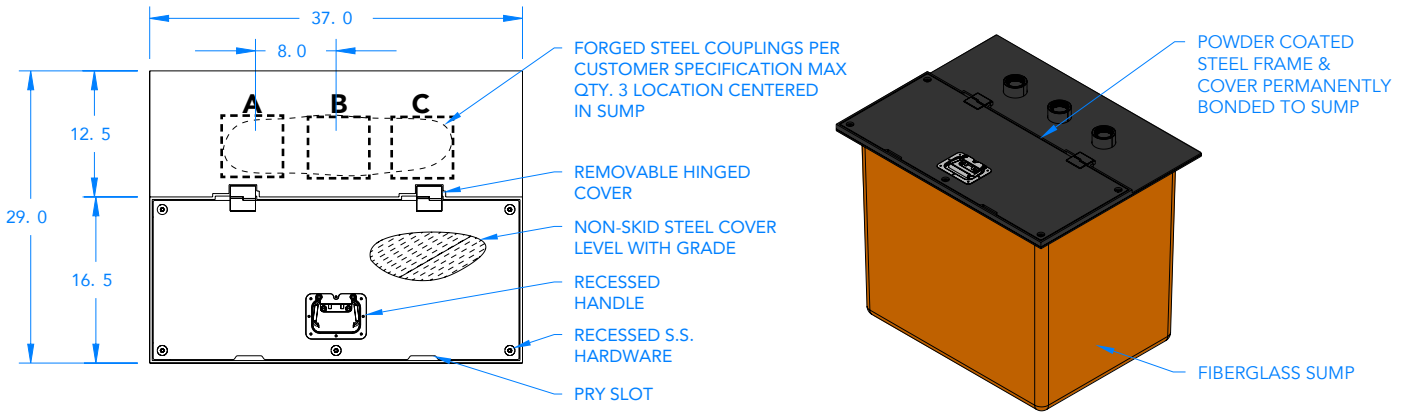
SIGNATURE: _____ DATE: _____





TS372929-5B0 GRADE LEVEL SUMP PRE-INSTALLATION SURVEY

Select Coupling Location(s), specify measurements and submit with PO to sales@pcisumps.com



| [X] COUPLING LOCATION | MEASUREMENTS |
|-------------------------|--------------|
| A | |
| B | |
| C | |

| CONTACT INFORMATION | | | |
|---------------------|--------|------|--|
| COMPANY: | | | |
| NAME: | | | |
| ADDRESS: | | | |
| CITY: | STATE: | ZIP: | |
| PHONE: | EMAIL: | | |

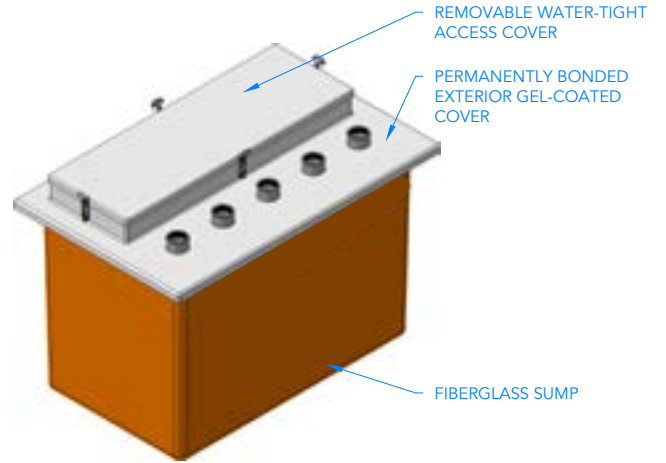
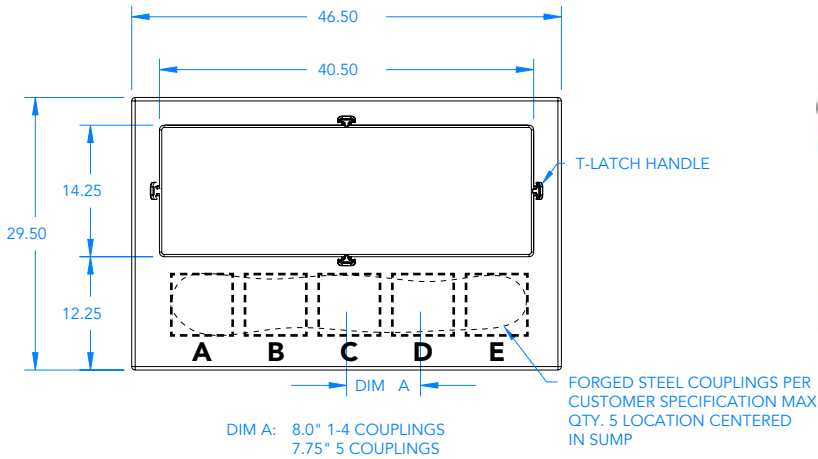
SIGNATURE: _____ DATE: _____





TS462929-4B0 GRADE LEVEL SUMP PRE-INSTALLATION SURVEY

Select Coupling Location(s), specify measurements and submit with PO to sales@pcisumps.com



| [X] COUPLING LOCATION | MEASUREMENTS |
|-------------------------|--------------|
| A | |
| B | |
| C | |
| D | |
| E | |

| CONTACT INFORMATION | | | |
|---------------------|--------|------|--|
| COMPANY: | | | |
| NAME: | | | |
| ADDRESS: | | | |
| CITY: | STATE: | ZIP: | |
| PHONE: | EMAIL: | | |

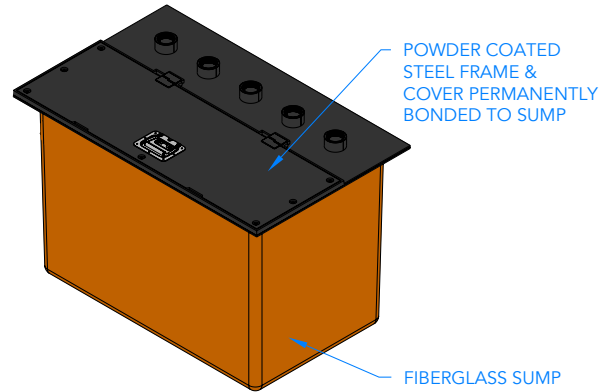
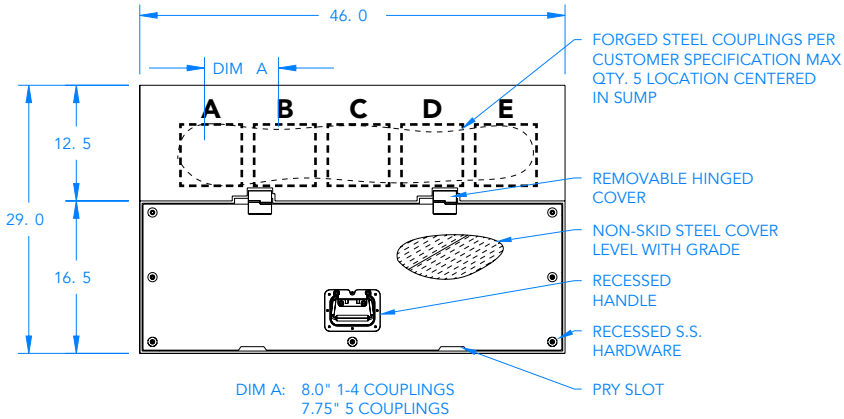
SIGNATURE: _____ DATE: _____





TS462929-5B0 GRADE LEVEL SUMP PRE-INSTALLATION SURVEY

Select Coupling Location(s), specify measurements and submit with PO to sales@pcisumps.com



| [X] COUPLING LOCATION | MEASUREMENTS |
|-------------------------|--------------|
| A | |
| B | |
| C | |
| D | |
| E | |

| CONTACT INFORMATION | | | |
|---------------------|--------|------|--|
| COMPANY: | | | |
| NAME: | | | |
| ADDRESS: | | | |
| CITY: | STATE: | ZIP: | |
| PHONE: | EMAIL: | | |

SIGNATURE: _____ DATE: _____

