



TS SERIES - GRADE LEVEL TRANSITION SUMPS



Transition Sumps are the most versatile containment sump. They can be used to transition from above ground steel pipe to underground fiberglass or flex piping for use with an AST or vent lines. They can also be used as an intermediate sump for a system low point, or to contain accessible equipment such as underground ball valves.

FORGED STEEL COUPLINGS

Forged Steel Couplings will not deteriorate or crack from UV exposure.

LARGE ACCESS OPENING

More space makes for easy installation and service

STAINLESS STEEL OPTIONS

We offer stainless steel options to best suit your installation requirements

CUSTOM SIZES AVAILABLE

Various sizes and options are available to meet any job-site or customer specifications upon request.

TWIST-LOK ACCESS COVER

PCI's tank sumps and below grade transition sumps come standard with the latest generation of our innovative 'Twist-Lok' Access Cover. Constructed from injection molded fiberglass, Twist-Lok lids provide a watertight seal with a quick and easy 12° turn.

'BRITE-WHITE' INTERIOR

Our signature 'Brite-White' interior reflects light for better visibility and makes identifying leak points easier.

DUO-MOLDED TECHNOLOGY

Our fiberglass sumps utilizes Duo-Molded Technology. Using premium raw materials with a high glass content, we create two layers of fiberglass, offering superior strength and fuel resistance.



Translucent Fiberglass Finish
Brite-White Fiberglass Interior



TS372929-5B0
Utilized as a vent box or an AST transition



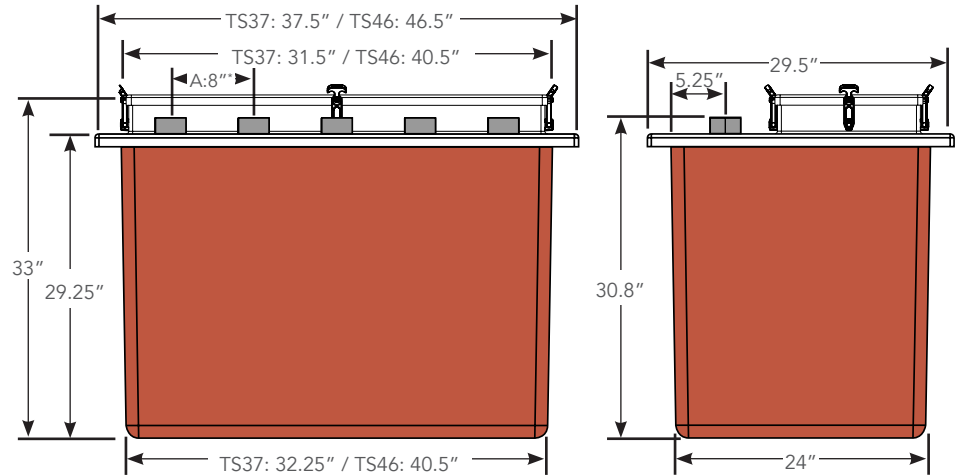
TS462929-4B0
For grade level in non-traffic areas



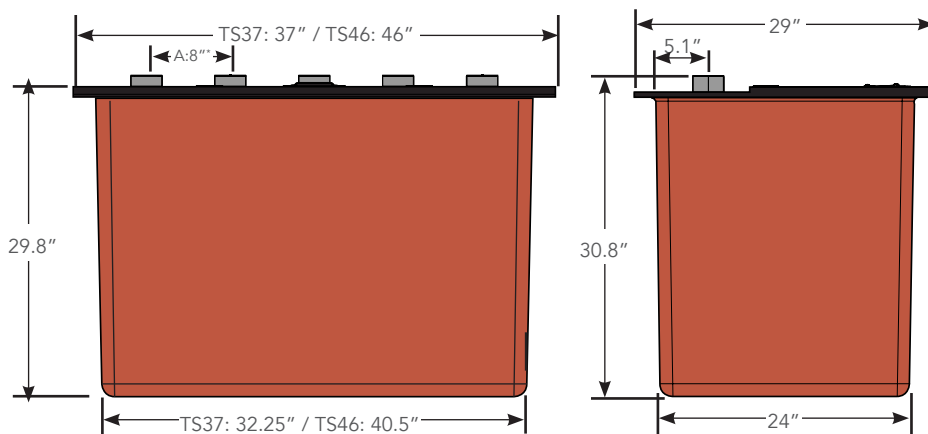


TS SERIES - GRADE LEVEL TRANSITION SUMPS

DIMENSIONS WITH -4B0 RAIN-TITE COVER



DIMENSIONS WITH -5B0 / -6B0 DIAMOND PLATE COVER



Single Wall	Double Wall	Length	Width	Height	Max. Couplings
-------------	-------------	--------	-------	--------	----------------

TS372929	TSDW372929	37"	29"	29"	3
TS462929	TSDW462929	46"	29"	29"	5*

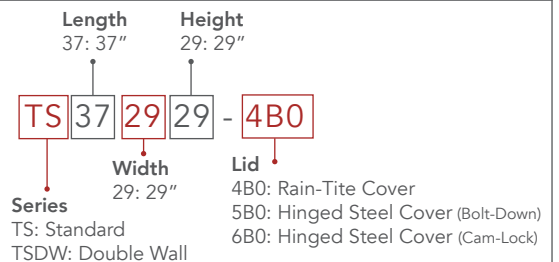
Options (Example: TS372929-5B0)

-4B0	Rain-Tite Cover with Steel Couplings
-5B0	Hinged Diamond Plate Steel Cover (Bolt-Down)
-6B0	Hinged Diamond Plate Steel Cover (Cam-Lock)

Additional Components (Order Separately)

CPLG-1	1" Forged Steel Coupling
CPLG-1SS	1" Forged Stainless Steel Coupling
CPLG-2	2" Forged Steel Coupling
CPLG-2SS	2" Forged Stainless Steel Coupling
CPLG-3	3" Forged Steel Coupling
CPLG-4	4" Forged Steel Coupling

PART NUMBER LEGEND



Vent Line Support Racks

VLSR-96X40	8' Vent Rack for TS37
VLSR-96X48	8' Vent Rack for TS46
VLSR-MB	Brackets for Vent Rack (Set of 2)

*Dimension A

If 5 couplings are used, spacing is 7.75"