

THIS DRAWING IS CONFIDENTIAL AND PROPRIETARY AND MAY NOT BE DISTRIBUTED OR REPRODUCED WITHOUT THE EXPRESSED WRITTEN CONSENT OF PETROLEUM CONTAINMENT, INC. ALL COPYRIGHT AND PATENT RIGHTS RESERVED. VIOLATORS WILL BE PROSECUTED.



PETROLEUM CONTAINMENT, INC.
 8873 WESTERN WAY, JAX., FL 32256
 (904) 358-1700 - (904) 358-1702 FAX
 WWW.PETROLEUM-CONTAINMENT.COM

APPROVED

DATE
 04/29/15

DRAWN
 BMC

FILE:

REV
 N/C

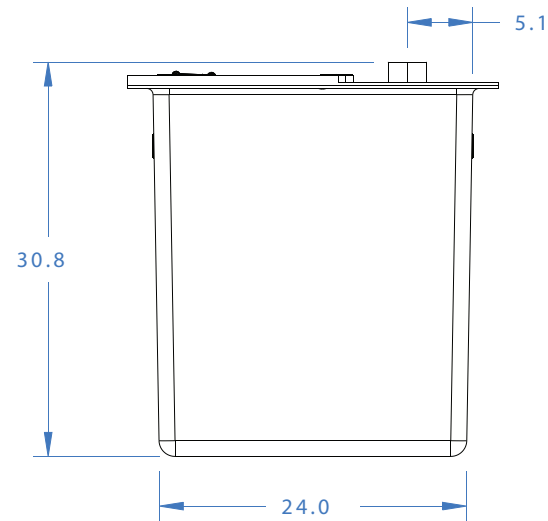
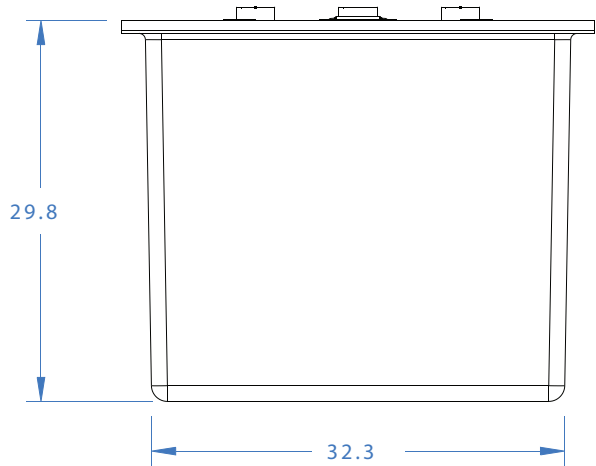
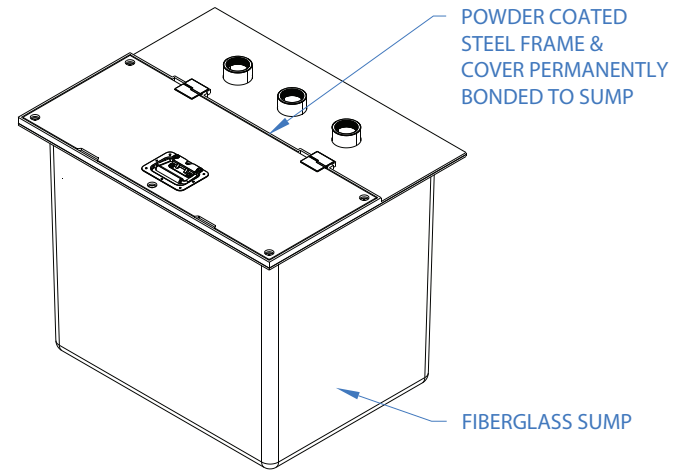
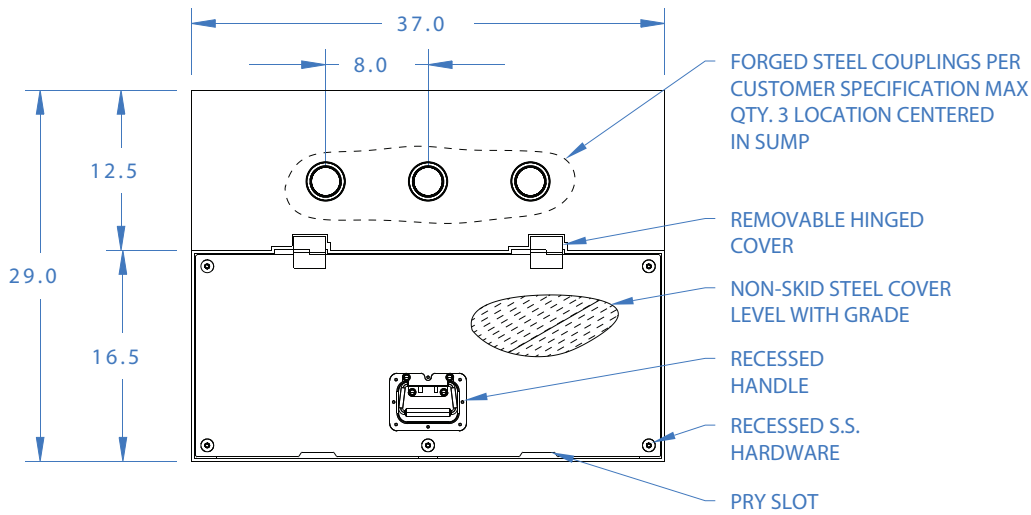
TITLE
 WATER-TIGHT TRANSITION SUMP

DWG NO
 TS372929-4B0

SCALE
 NTS

SHEET
 1

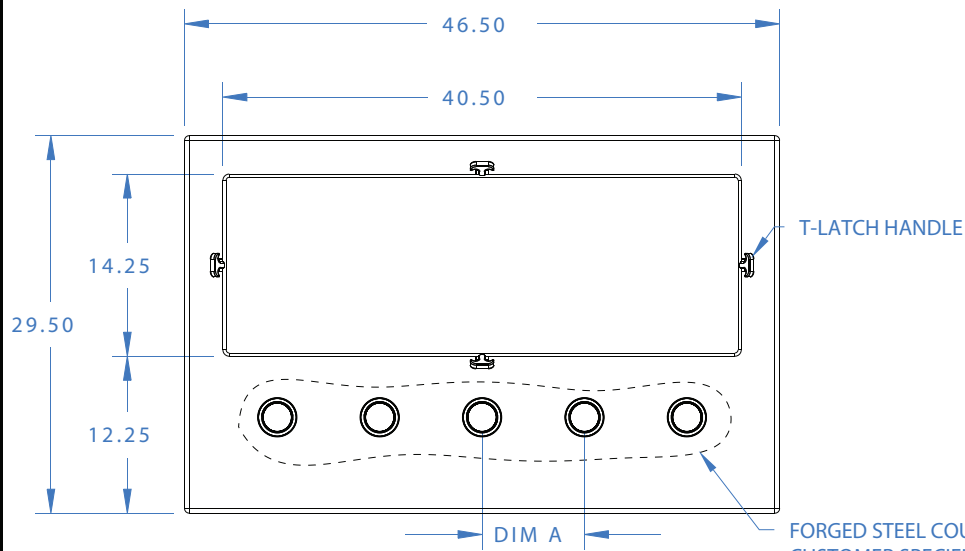
OF 1



THIS DRAWING IS CONFIDENTIAL AND PROPRIETARY AND MAY NOT BE DISTRIBUTED OR REPRODUCED WITHOUT THE EXPRESSED WRITTEN CONSENT OF PETROLEUM CONTAINMENT, INC. ALL COPYRIGHT AND PATENT RIGHTS RESERVED. VIOLATORS WILL BE PROSECUTED.

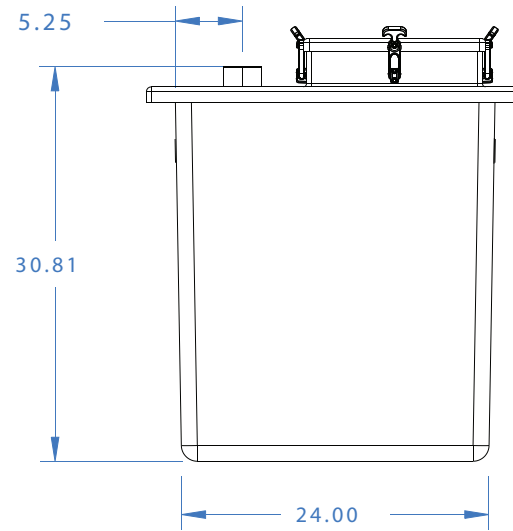
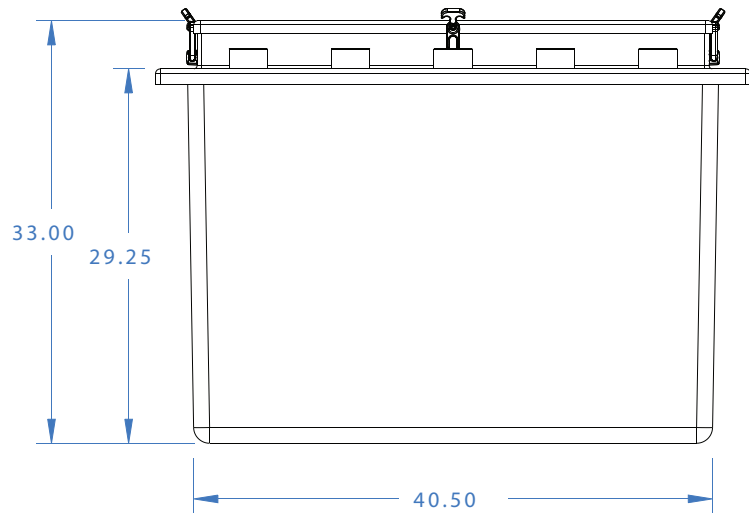
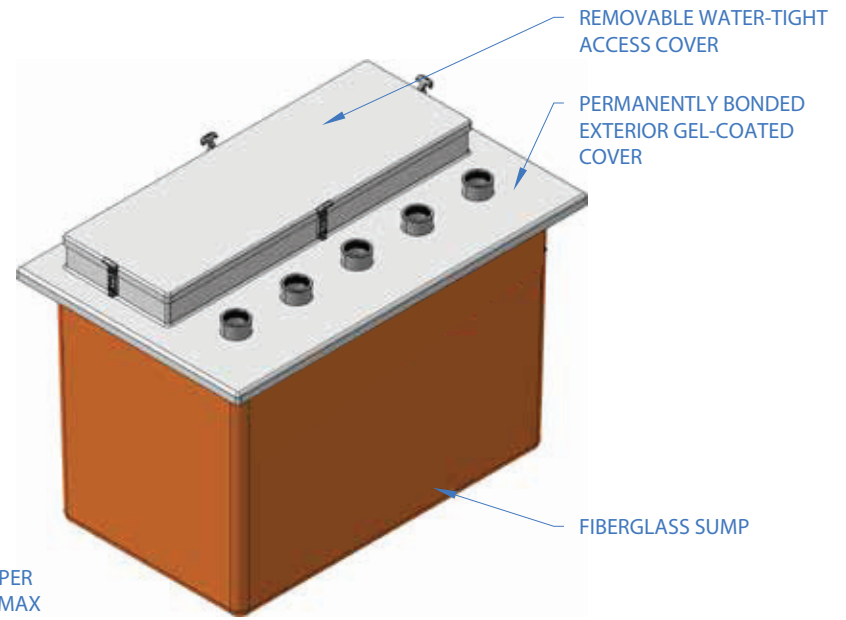


PETROLEUM CONTAINMENT, INC. 8873 WESTERN WAY, JAX., FL 32256 (904) 358-1700 - (904) 358-1702 FAX WWW.PETROLEUM-CONTAINMENT.COM	
APPROVED	DATE 04/22/15
DRAWN BMC	FILE: -
TITLE GRADE-LEVEL TRANSITION SUMP	REV N/C
SCALE NTS	DWG NO TS372929-5B0
SHEET 1	OF 1



DIM A: 8.0" 1-4 COUPLINGS
7.75" 5 COUPLINGS

FORGED STEEL COUPLINGS PER CUSTOMER SPECIFICATION MAX QTY. 5 LOCATION CENTERED IN SUMP



THIS DRAWING IS CONFIDENTIAL AND PROPRIETARY AND MAY NOT BE DISTRIBUTED OR REPRODUCED WITHOUT THE EXPRESSED WRITTEN CONSENT OF PETROLEUM CONTAINMENT, INC. ALL COPYRIGHT AND PATENT RIGHTS RESERVED. VIOLATORS WILL BE PROSECUTED.



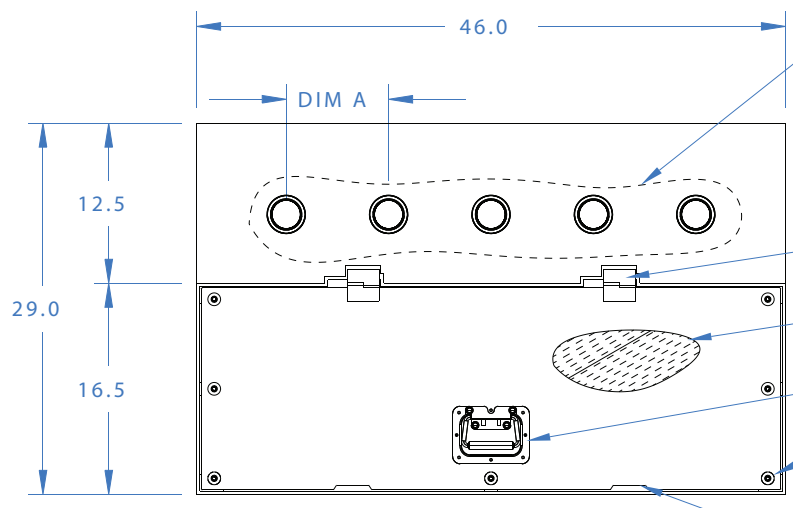
PETROLEUM CONTAINMENT, INC.
8873 WESTERN WAY, JAX., FL 32256
(904) 358-1700 - (904) 358-1702 FAX
WWW.PETROLEUM-CONTAINMENT.COM

APPROVED
DATE 04/29/15
DRAWN BMC
FILE:

REV N/C

TITLE WATER-TIGHT TRANSITION SUMP
SCALE NTS
DWG NO TS462929-4B0

SHEET 1 OF 1



DIM A: 8.0" 1-4 COUPLINGS
7.75" 5 COUPLINGS

FORGED STEEL COUPLINGS PER CUSTOMER SPECIFICATION MAX QTY. 5 LOCATION CENTERED IN SUMP

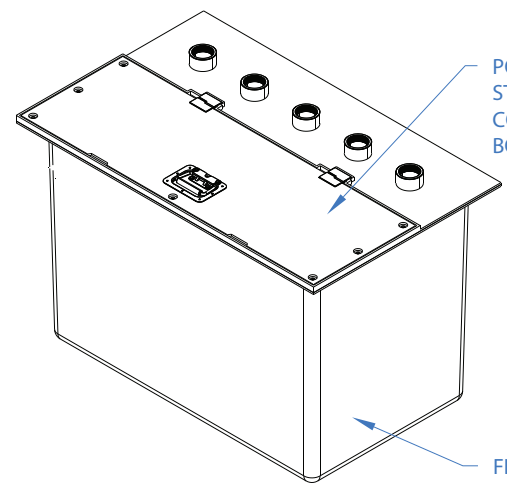
REMOVABLE HINGED COVER

NON-SKID STEEL COVER LEVEL WITH GRADE

RECESSED HANDLE

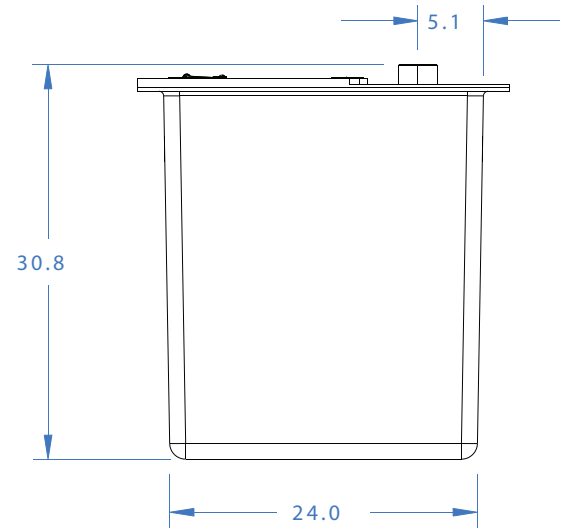
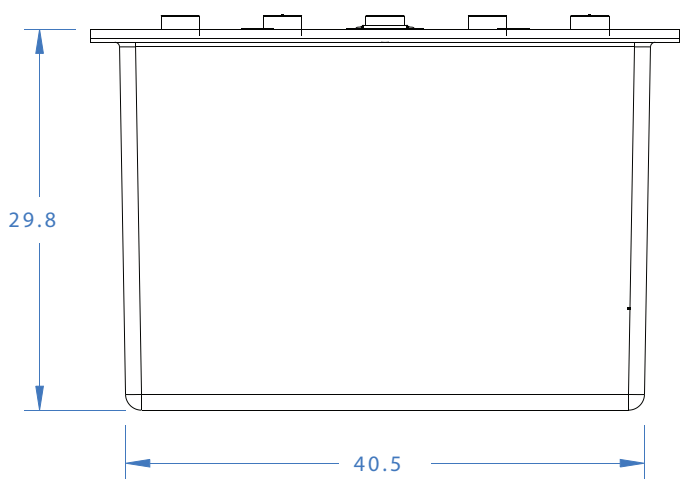
RECESSED S.S. HARDWARE

PRY SLOT



POWDER COATED STEEL FRAME & COVER PERMANENTLY BONDED TO SUMP

FIBERGLASS SUMP



THIS DRAWING IS CONFIDENTIAL AND PROPRIETARY AND MAY NOT BE DISTRIBUTED OR REPRODUCED WITHOUT THE EXPRESSED WRITTEN CONSENT OF PETROLEUM CONTAINMENT, INC. ALL COPYRIGHT AND PATENT RIGHTS RESERVED. VIOLATORS WILL BE PROSECUTED.



PETROLEUM CONTAINMENT, INC. 8873 WESTERN WAY, JAX., FL 32256 (904) 358-1700 - (904) 358-1702 FAX WWW.PETROLEUM-CONTAINMENT.COM	
APPROVED	DATE 04/22/15
DRAWN BMC	FILE: -
TITLE GRADE-LEVEL TRANSITION SUMP	REV N/C
SCALE NTS	DWG NO TS462929-5B0
SHEET 1	OF 1