

# pci

## 4500 SERIES TANK SUMPS



In addition to being the only 45" tank sump in the marketplace, the 4500 is also PCI's most popular and versatile tank sump. Our 4500 Series tank sumps are constructed of 100% fiberglass and offer long-term reliability without deforming or cracking. This provides one sump that works for all single STP applications. Exposure to fuel will never void our warranty.

### UNIVERSAL BASE

A rigid 12-sided sump base that can be used on a 42" UST collar, manway, or bung adapter. Smooth flat panels are easy to drill and provide leak-tight sealing surface for penetration fittings. Can be factory cut.

### DUAL STP SYSTEM

Accommodates two STP systems with ample room to work.

### TWIST-LOK ACCESS COVER

PCI's tank sumps and below grade transition sumps come standard with the latest generation of our innovative 'Twist-Lok' Access Cover. Constructed from injection molded fiberglass, Twist-Lok lids provide a watertight seal with a quick and easy 12° turn.

### 'BRITE-WHITE' INTERIOR

Our signature 'Brite-White' interior reflects light for better visibility and makes identifying leak points easier.

### DUO-MOLDED TECHNOLOGY

Our fiberglass sumps utilize Duo-Molded Technology. Using premium raw materials with a high glass content, we create two layers of fiberglass, offering superior strength and fuel resistance.



PC4560U

**Brite  
White**  
INTERIOR

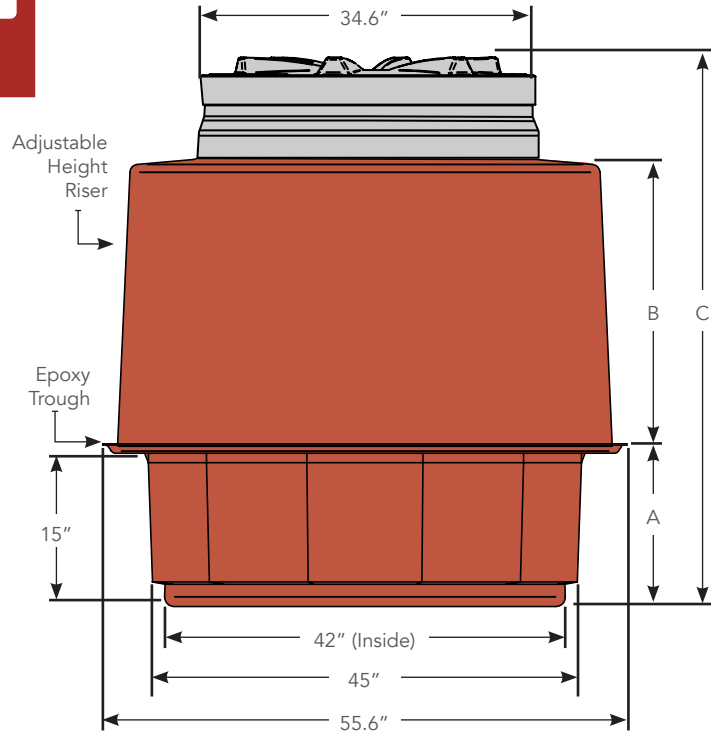


**pci** PETROLEUM  
CONTAINMENT, INC.

8873 Western Way, Jacksonville, FL 32256 | 904.358.1700 | pcisumps.com



# 4500 SERIES TANK SUMPS



### PRODUCT SIZES\*

| Part No. | Base Height (A) | Adjustable Height (B) | Overall Height (C) |
|----------|-----------------|-----------------------|--------------------|
| PC4540U  | 17"             | 0" - 8"               | 30" - 38"          |
| PC4550U  | 17"             | 0" - 18"              | 30" - 48"          |
| PC4560U  | 17"             | 0" - 28"              | 30" - 58"          |

### Options (Example: PC45XXU-3XX)

|      |  |
|------|--|
| -3B0 | Solid Bottom, No Bonding Kit                     |
| -3B1 | Solid Bottom, E148CM Epoxy Kit                   |
| -3B2 | Solid Bottom, E142CM / E148CM Epoxy Kit          |
| -3B3 | Solid Bottom, GK-55 Fiberglass Kit               |
| -3B4 | Solid Bottom, GK-55 / GK-42 Fiberglass Kit       |
| -3C0 | 42" Collar Mount, No Bonding Kit**               |
| -3C2 | 42" Collar Mount, E142CM / E148CM Epoxy Kit**    |
| -3C4 | 42" Collar Mount, GK-55 / GK-42 Fiberglass Kit** |

Optimum lid height is 4" below manhole cover

\* Dimensions are based on Solid Bottom sumps only

\*\* Subtract 1" if mounting to a 42" tank collar

### PART NUMBER LEGEND

Series  
PC45: 4500

Base  
B: Solid Bottom  
C: 42" Collar Mount

U: Universal

Lid  
3: Twist-Lok

Bonding Kit  
0: No Bonding Kit  
1: 148CM Epoxy Kit  
2: E142CM / E148CM Epoxy Kit  
3: GK-55 Fiberglass Kit  
4: GK-55 / GK-42 Fiberglass Kit

Sump Height  
40: 30-38"  
50: 30-48"  
60: 30-58"



### INSPECTION PORT

Optional 4" inspection port allows quick and easy inspection without removing entire cover.  
IP4000-1

